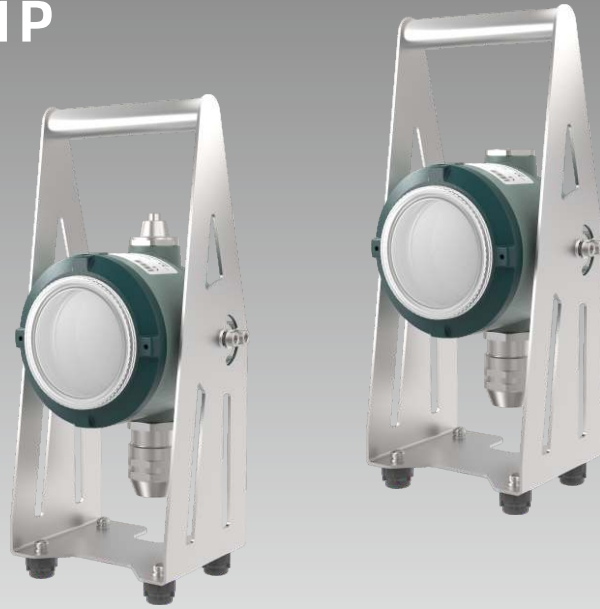


# CZ6474/121P


**B**

## 描述 Descriptions

防爆灯外壳由铝合金压铸成型，表面喷涂纯环氧树脂粉末，抗腐蚀性能好。透明罩钢化玻璃，外露紧固件采用不锈钢材料。防爆灯配隔爆型电缆密封套直接引入，电缆密封套自带二次夹紧装置，防止现场移动拉扯电缆，电缆松脱现象发生，防爆灯具内部独特的隔热设计与外部高密度的散热片相结合散热效果更佳。

防爆灯为IIC级LED防爆灯，既适用于爆炸性环境，也适用于具有强腐蚀性的石化、化学场所和海洋环境等。

防爆灯额定功率12W，既可以手提，也可以放置于工作台面，尤其适合工业场所进行移动照明或设备检修照明等用。

防爆灯可选配开关，可实现快速接通、关断电源。

防爆灯可选配灯罩，灯罩可选颜色为白色亚光、红色、绿色、黄色和蓝色五种颜色。

- 长寿命免维护，使用寿命长达50000小时，可实现长期免维护
- 具有良好的电磁兼容性，不会对系统电网造成干扰
- LED属于固态光源，抗震性能佳
- 隔爆最高等级IIC级
- 安装维护方便
- 防护等级高达IP66
- IECEx、ATEX认证

The explosion-proof light fittings shell is made of aluminum alloy die-casting, and the surface is sprayed with pure epoxy resin powder, with good corrosion resistance. The transparent cover is made of tempered glass, and the exposed fasteners are made of stainless steel. The explosion-proof light fittings is equipped with flame-proof cable gland for direct entry.

The cable gland is equipped with a secondary clamping device to prevent the cable from being pulled and loosened on site. The unique heat insulation design internally combined with the external high-density heat sink for better heat dissipation effect. The explosion-proof light fittings is IIC LED explosion-proof light fittings, which is not only suitable for explosive environment, but also suitable for petrochemical, chemical places and marine environment with strong corrosivity.

The rated power of explosion-proof light fittings is 12W. It can be carried by hand or placed on the worktable. It is especially suitable for mobile lighting or equipment maintenance in industrial places.

The explosion-proof light fittings can be equipped with an optional switch to quickly turn on and off the power supply. The explosion-proof light fittings can be equipped with light cover, and the optional colors of the light cover are white matt, red, green, yellow and blue.

- It is long life and maintenance-free which the service life is up to 50000 hours and the maintenance-free of long term.
- There is a feature of good electromagnetic compatibility and it does not cause interference to the system power grid.
- There is a good performance of vibration due to the LED is the solid-state light source.
- The highest flameproof level is IIC.
- It is convenient to be mounted and maintained.
- The degree of protection is up to IP66.
- International IECEx Approval, Europe union ATEX Approval.

## 1 区和 2 区

## 21 区和 22 区

## Zone 1 and zone 2

## Zone 21 and zone 22

**主要数据 Main technical data**

认证 Certification	防爆标志 Ex mark	符合标准 Meet the standard
China	Ex db IIC T6/T5 Gb Ex tb IIIC T80°C/T95°C Db	GB/T3836
IECEX	Ex db IIC T6/T5 Gb Ex tb IIIC T80°C/T95°C Db	IEC60079
ATEX	⊕ II 2GD Ex db IIC T6/T5 Gb Ex tb IIIC T80°C/T95°C Db	EN60079

 适用范围: 用于 1 区和 2 区  
 用于 21 区和 22 区

防护等级: IP66

额定电压: 20 ~ 40V DC/24V AC 50/60Hz

127~ 250V DC/100 ~ 250V AC 50/60Hz

光源/功率: LED/12W

光通量: 1182 lm (无柔光罩)

色温: 标配5000K、(可选3000K、4000K、6500K)

功率因素: &gt;0.98

使用环境温度: -60°C/-40°C≤Ta≤+40°C/55°C

(-60°C灯具电气设备需要定制)

开关容量: 250V AC 5A

 接线端子: 端子 2.5mm<sup>2</sup>, PE 端子 2×10mm<sup>2</sup>

电缆入口:

**DC1:** 1-M25, 电缆外径: Φ12-19mm (CZ1725/1C)

1-M25, 空塞堵头 (CZ1725/3A)

**DC0:** 1-M25, 电缆外径: Φ12-19mm (CZ1725/1C)

Intended use: Can be used in zone 1 and zone 2

Can be used in zone 21 and zone 22

Degree of protection: IP66

Rated voltage: 20 ~ 40V DC/24V AC 50/60Hz

127~ 250V DC/100 ~ 250V AC 50/60Hz

Light source/Power: LED/12W

Luminous flux: 1182 lm (Without diffuser)

colour temperature: Standard 5000K, (Optional 3000K, 4000K, 6500K)

Power factor: &gt;0.98

Ambient temperature: -60°C/-40°C≤Ta≤+40°C/55°C

(-60°C lamp electrical equipment need to be customized)

Switch capacity: 250V AC 5A

 Terminal: terminal 2.5mm<sup>2</sup>, PE terminal: 2×10mm<sup>2</sup>


Cable entry:

**DC1:** 1-M25, outside diameter: Φ12-19mm (CZ1725/1C)

1-M25, stopping plug (CZ1725/3A)

**DC0:** 1-M25, outside diameter: Φ12-19mm (CZ1725/1C)

**B**
**订购规格 Order specifications**

图样 Illustration	开关 Switch	温度组别T* Temperature class*		重量(kg) Weight	订购号 Order No.
		Ta≤40°C	Ta≤55°C		
	无 Without	T6	T5	2.65	<b>CZ6474/121P-LED0012W5-□-□-DC1+□</b>
	有 With	T6	T5	2.75	<b>CZ6474/121P-LED0012W5-□-□-K-DC0+□</b>

 不带开关  
Without switch

 带开关  
With switch

 3-3000K  
 4-4000K  
 5-5000K  
 6-6500K

 色温  
Colour temperature

07-20 ~ 40V DC/24V AC 50/60Hz

17-127~ 250V DC/100 ~ 250V AC 50/60Hz

 额定电压/频率  
Rated voltage/frequency

4 - -40°C≤Ta≤+40°C/+55°C

6 - -60°C≤Ta≤+40°C/+55°C

 使用环境温度  
Ambient temperature

K-开关 (不配不注) Switch (Optional)

电缆引入装置编码详见第 B/11页 Code of cable gland see page B/11

 灯罩附件订购号详见第 B/11 页 (不配不注)  
 Order No. of light cover accessories see page B/11 (Optional)

**电缆引入装置编码 Code of cable gland**

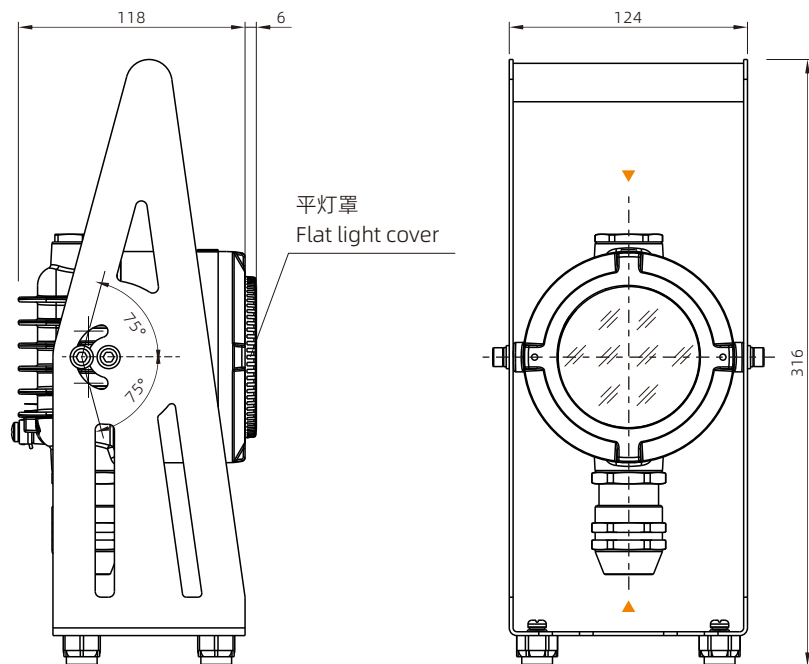
编码 Code	规格 Specifications	电缆直径 Cable diameter
<b>DC0</b>	铜制 1 个 CZ1725/1C M25×1.5 电缆密封套 One brass CZ1725/1C M25×1.5 cable gland	Φ12-19mm
<b>DC1</b>	铜制 1 个 CZ1725/1C M25×1.5 电缆密封套, 1 个 CZ1725/3A M25×1.5 空塞堵头 One brass CZ1725/1C M25×1.5 cable gland, one CZ1725/3A M25×1.5 stopping plug	Φ12-19mm

**灯罩附件 Accessories of light cover**

图样 Illustration	描述 Descriptions	重量(kg) Weight	单位 Unit	订购号 Order No.
柔光平灯罩 Diffuser (White matt)	白色亚光 White matt	0.27	只 Piece	<b>D8751-LW</b>
红色平灯罩 Red Flat light cover	红色 Red	0.27	只 Piece	<b>D8751-LR</b>
绿色平灯罩 Green Flat light cover	绿色 Green	0.27	只 Piece	<b>D8751-LG</b>
黄色平灯罩 Yellow Flat light cover	黄色 Yellow	0.27	只 Piece	<b>D8751-LY</b>
蓝色平灯罩 Blue Flat light cover	蓝色 Blue	0.27	只 Piece	<b>D8751-LB</b>

**外形尺寸 Outline dimensions**

单位 Unit: mm



▶ 电缆密封套 / 开关入口 Cable entry / Switch

